

Repair manual Hydraulic Breakers

MB 1700 and MB 1700 DustProtector



Contents

Chapter	Title	Page
1	General	7
1.1	Explanation of the symbols in the repair manual	7
2	Operational safety	8
2.1	General.....	8
2.2	Accident prevention regulations	8
2.3	Tools, measuring and testing equipment.....	9
2.4	Operating media/consumables.....	9
3	Tools	10
3.1	General tools.....	10
3.2	Service box	11
3.3	Special accessories	12
3.3.1	Accumulator filling device.....	12
3.3.2	Power wrench	13
3.3.3	HeliCoil tools	13
3.3.4	Fitting aid for percussion piston.....	14
3.3.5	Press-out aid for wear bushes.....	14
4	Dismantling the hydraulic hammer	15
4.1	Removing the working tool.....	15
4.2	Removing the percussion mechanism of the MB 1700 from the hammer box... 16	16
4.3	Removing the high-pressure accumulator.....	17
4.4	Removing the control valve	18
4.5	Removing the AutoControl – valve	19
4.6	Removing the perforated disk	20
4.7	Removing the cylinder cover	20
4.8	Removing the percussion piston and sealing bush.....	22
4.9	Removing the cylinder.....	22
4.10	Removing the external-threaded connect.....	23
4.11	Removing the DustProtector	24
4.12	Removing the locking pins for the retainer bars in the lower hammer part	25
4.13	Removing the locking bushes	25
5	Checking the hammer box	26
5.1	Checking for cracks and indentations	26
5.2	Wear to the bottom plate.....	26
5.3	Checking the elastic pad	27
5.4	Checking the damping elements	27
5.5	Checking the guide plates.....	28
5.5.1	Checking the lower guide plates	28
5.5.2	Checking the upper guide plates.....	29

Contents

Chapter	Title	Page
6	Assembling the hydraulic hammer	30
6.1	Tightening torques for screws and screw couplings on the MB 1700	30
6.2	Fitting the cylinder	31
6.3	Fitting the percussion piston and sealing bush	31
6.4	Fitting the cylinder cover	32
6.5	Fitting the AutoControl valve	34
6.6	Fitting the perforated disk	35
6.7	Fitting the control slide valve	35
6.8	Fitting the high-pressure accumulator	36
6.9	Fitting the external-threaded connect	37
6.10	Filling the piston accumulator	38
6.11	Fitting the percussion mechanism in hammer box	40
6.12	Connecting ContiLube® II	41
6.13	Fitting the working tool	42
6.14	Fitting the DustProtector	44
7	Changing the seals	45
7.1	Changing the cylinder seals	45
7.2	Changing the seals between cylinder and cylinder cover	47
7.3	Changing the seals on the external-threaded connect	47
7.4	Changing the seals on the control casing cover	47
7.5	Changing the seals on the high pressure accumulator	48
7.6	Changing the seals on the sealing bush	48
8	Repair work	49
8.1	Changing the Allen screws on the high-pressure accumulator	49
8.2	Changing the high-pressure accumulator	49
8.3	Changing the tie rods	50
8.4	Removing scores from control slide valve and bore	51
8.5	Removing scores on percussion piston and cylinder bore	51
8.6	Replacing retainer bars and working tool	52
8.7	Changing the wear bushes	53
8.8	Replacing the complete hammer box	55
8.9	Replacing guide plates and damping elements in hammer box	55
8.10	Replacing the wear protection set	56
8.11	Replacing the DustProtector	56
8.12	Repairing cracked welds	57
8.13	Replacing the bottom plate on the hammer box	57
8.14	Reworking the retainer pins for the damping elements	58
8.15	Weld seam preparation	58
8.16	Preheating temperature	58
8.17	Fillers	58
8.18	Post-treatment of welds	58

4.3 Removing the high-pressure accumulator

- Stand hydraulic hammer vertically and secure against falling over (e.g. on a stand similar to (Fig. 12), or lay flat).



DANGER!

If the MB 1700 is still attached to the carrier, the hydraulic system must be depressurised prior to removing the high-pressure accumulator.

e. g.

- On hoses with screw couplings, relieve pressure on check valves and depressurise (open the hose ports on the hammer).
- Release allen screws (Fig.13/1) on accumulator using a size 14 allen key (Fig.13/2) and screw them out removing the locking washers at the same time.



CAUTION!

Collect any oil which runs out and dispose of it in accordance with the applicable statutory provisions to avoid environmental hazards!

- Remove high-pressure accumulator (Fig.14).
- Check threaded insert (part no. 54), replace if necessary.



CAUTION!

The high-pressure accumulator on the MB 1700 has a capacity of 0.9 l and a max. permissible operating pressure of 230 bar (3335 psi).

If any significant changes are made to the hydraulic system, a new acceptance inspection is to be carried out in accordance with the relevant national safety provisions.

- Removing the O-ring and back-up ring (Fig.15).

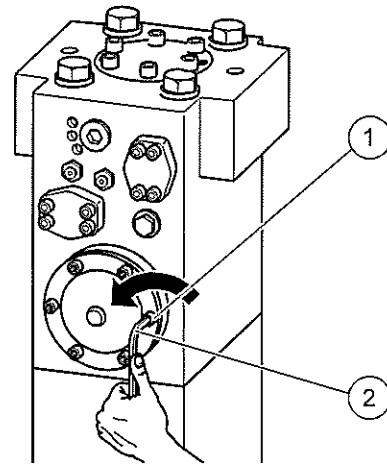


Fig. 13

Releasing and unscrewing the allen screws

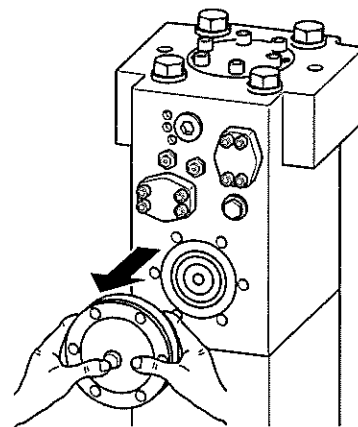


Fig. 14

Removing the high-pressure accumulator

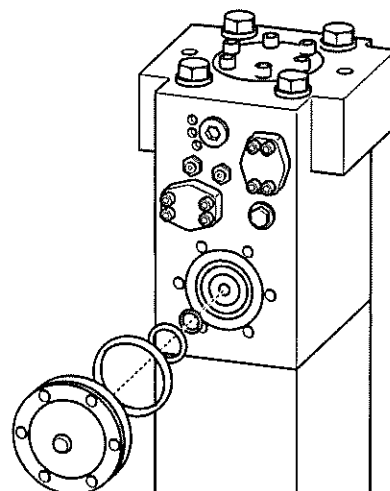


Fig. 15

Removing the O-ring and back-up ring